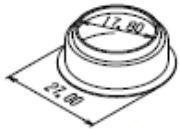
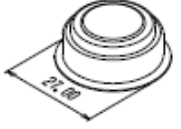
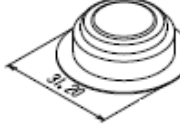
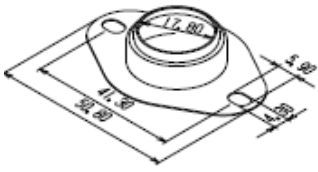
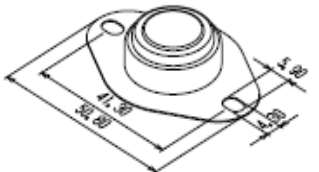
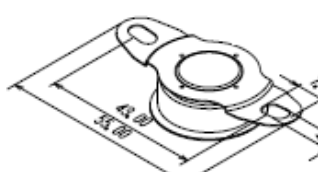

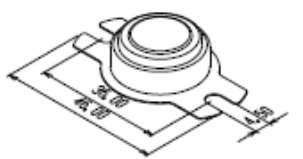
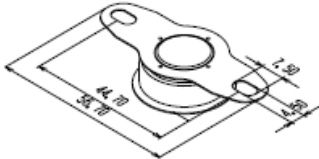
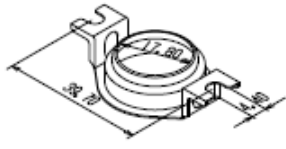
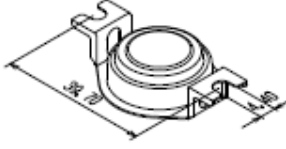


Configuration card Typ 43

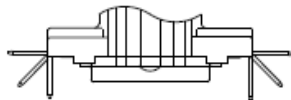
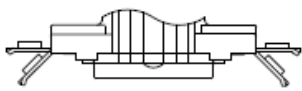
Cap without mounting:

		
cap 0	cap 3	cap 5

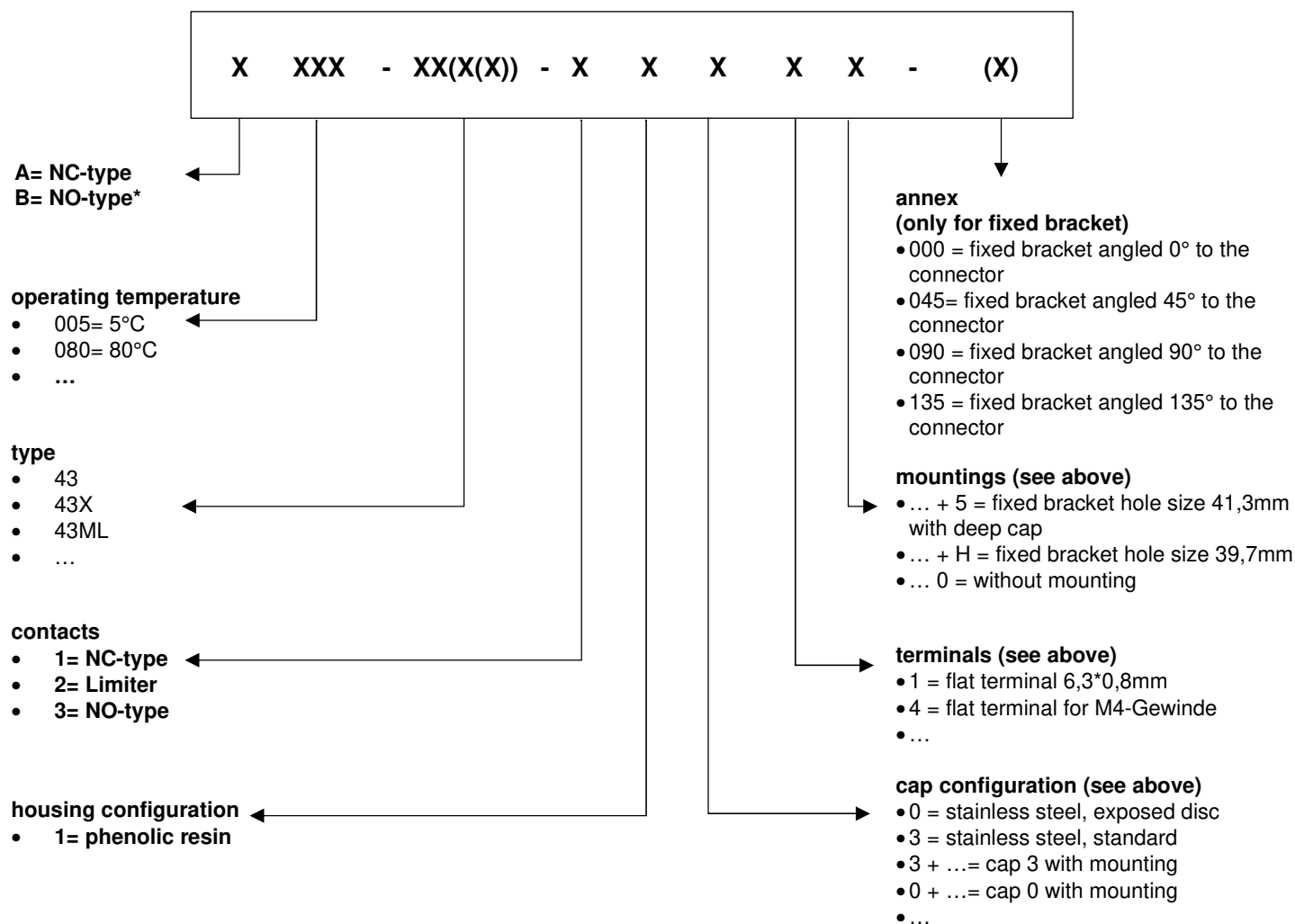
Cap with mounting:

		
cap 0+5	cap 3+5	cap 3+B
		
cap 0+6	cap 3+6	cap 3+D
		
cap 0+H	cap 3+H	

Terminals:

	
terminal 6,3*0,8mm (horizontal = 1 , angled 45°C = 2), vertical = 3)	M4 screw terminal (horizontal = 4 or angled 45°C = 5)

Structure of the article number



*NC-type is not available as limiter.

The shown configurations don't fit?

We would like to check in dialogue with you, if there is a suitable solution for your application.

Our friendly team will give you detailed information of all our products. Of course, we want to help you, to find the best solution for your application. Please call us for further information.

Protherm Wärmeschutz GmbH
Turnstraße 28
D-75328 Schömberg

Phone: +49 (0) 7235 980 200
Fax: +49 (0) 7235 980 201
E-mail: kontakt@protherm.info
Internet: www.protherm.info